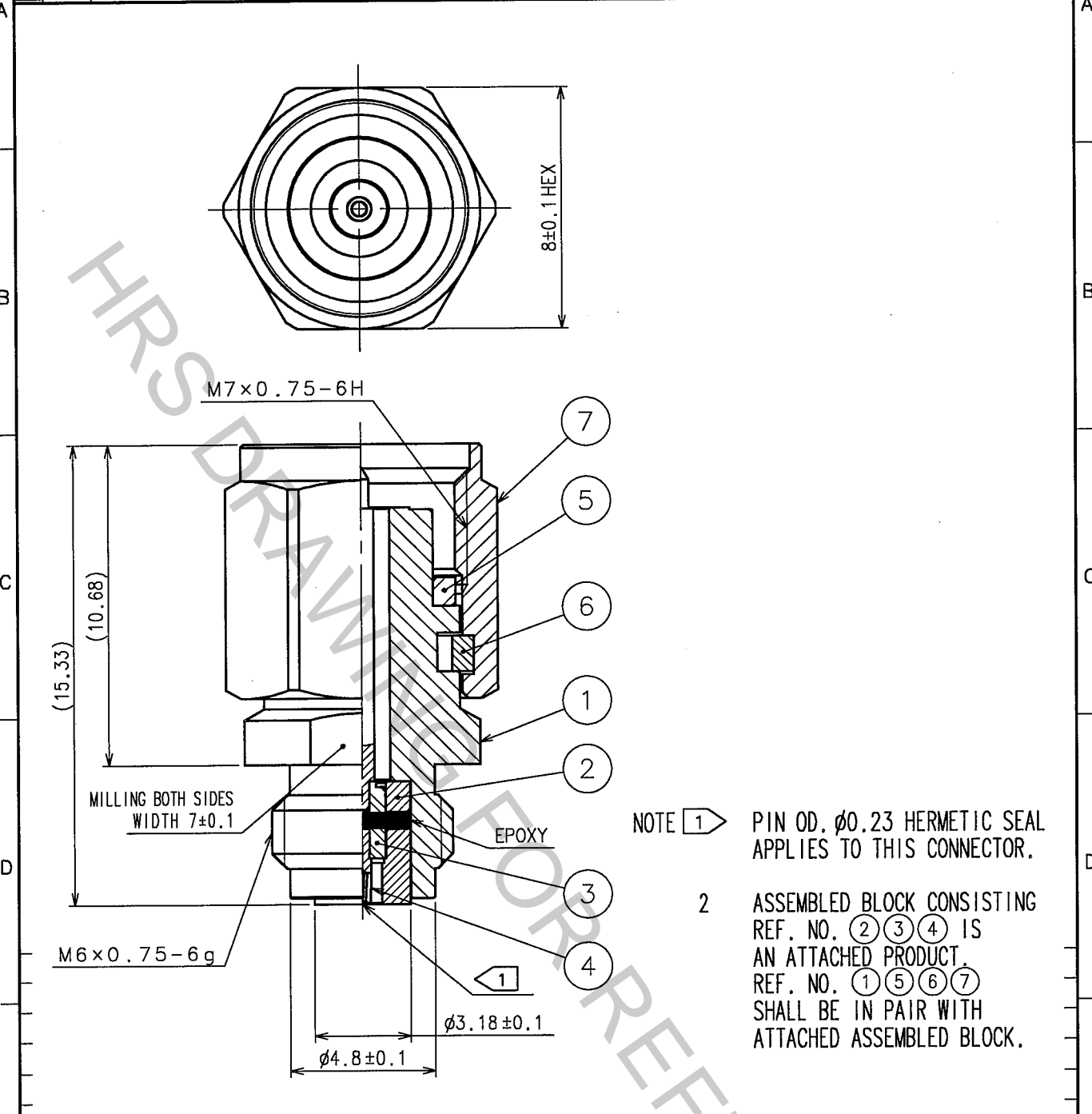


Apr.1.2017 Copyright 2017 HIROSE ELECTRIC CO., LTD. All Rights Reserved.

1		2			3			4		
COUNT	DESCRIPTION OF REVISIONS	BY	CHKD	DATE	COUNT	DESCRIPTION OF REVISIONS	BY	CHKD	DATE	
△					△					
△					△					
△					△					



- NOTE 1 → PIN OD, φ0.23 HERMETIC SEAL APPLIES TO THIS CONNECTOR.
- 2 ASSEMBLED BLOCK CONSISTING REF. NO. ②③④ IS AN ATTACHED PRODUCT. REF. NO. ①⑤⑥⑦ SHALL BE IN PAIR WITH ATTACHED ASSEMBLED BLOCK.

4	BERYLLIUM COPPER	GOLD PLATING			
3	PTFE		7	STAINLESS STEEL	PASSIVATE
2	STAINLESS STEEL	GOLD PLATING	6	BERYLLIUM COPPER	NICKEL PLATING
1	STAINLESS STEEL	PASSIVATE	5	SILICONE RUBBER	
NO.	MATERIAL	FINISH, REMARKS	NO.	MATERIAL	FINISH, REMARKS

CODE NO. (OLD) CL396-7187-0		DRAWN N. Asawa 103.4.14	DESIGNED N. Asawa 103.4.14	CHECKED I. Mitani '03.4.14	APPROVED Kobayashi '03.04.15	RELEASED
DRAWING NO. EDC4-300264		PART NO. HV-BPR01				
SCALE 5 : 1		CODE NO. CL338-0203-5				1/1
UNITS mm		HRS HIROSE ELECTRIC CO., LTD.				

TO  
RF