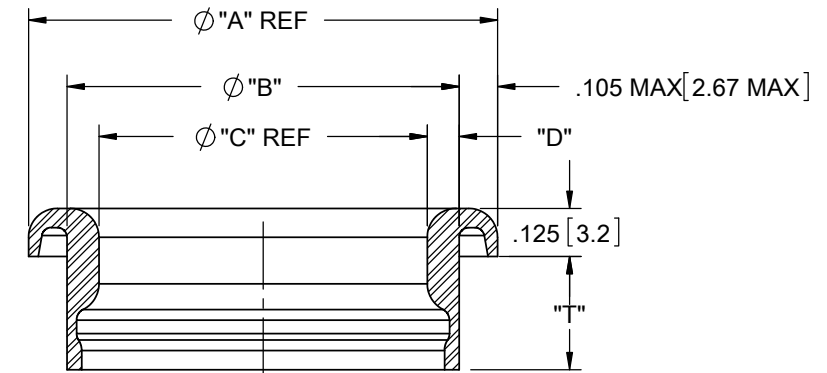
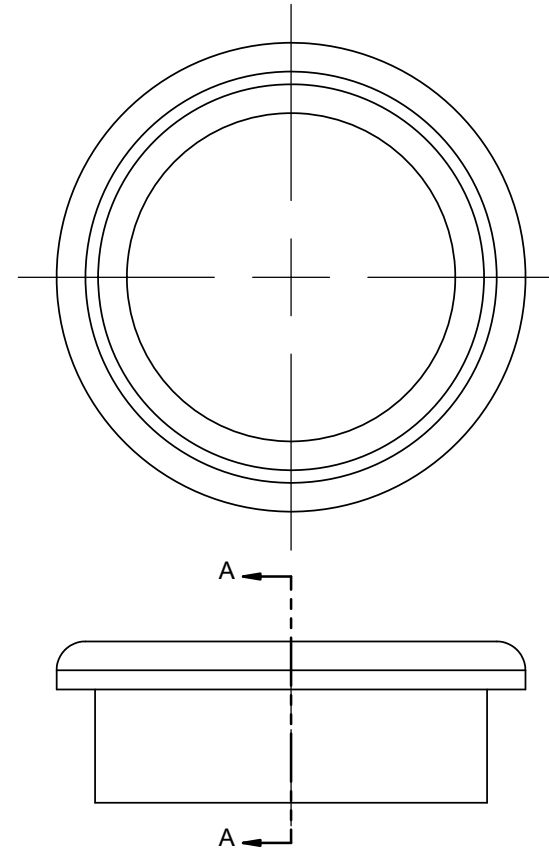




REF MILITARY STANDARD	PART NO.	HOLE DIAMETER +.010/-.005 [+0.25/-0.13]	"T" ±.005 [±0.13]	NAS 1368 PANEL THICKNESS RANGE	MAX RECOMMENDED PANEL THICKNESS	"A" REF	"B"	"C" REF	"D"
NAS1368N4A	GFA-N4A	.375 [9.5]	.235 [5.97]	.025-.080 [0.64-2.03]	.030 [0.76]	.567 [14.4]	.367±.003 [9.3]	.251 [6.4]	.058 [1.47]
NAS1368N4B	GFA-N4B		.295 [7.49]	.081-.140 [2.06-3.56]	.100 [2.54]				
NAS1368N6A	GFA-N6A	.500 [12.7]	.235 [5.97]	.025-.080 [0.64-2.03]	.030 [0.76]	.692 [17.6]	.492±.003 [12.5]	.376 [9.55]	
NAS1368N6B	GFA-N6B		.295 [7.49]	.081-.140 [2.06-3.56]	.090 [2.29]				
NAS1368N6C	GFA-N6C		.360 [9.1]	.141-.200 [3.58-5.08]	.160 [4.06]				
NAS1368N8A	GFA-N8A	.625 [15.9]	.235 [5.97]	.025-.080 [0.64-2.03]	.030 [0.76]	.815 [20.7]	.615±.005 [15.6]	.499 [12.7]	
NAS1368N8B	GFA-N8B		.295 [7.49]	.081-.140 [2.06-3.56]	.090 [2.29]				
NAS1368N10A	GFA-N10A	.781 [19.8]	.235 [5.97]	.025-.080 [0.64-2.03]	.030 [0.76]	.971 [24.7]	.771±.005 [19.6]	.605 [15.4]	
NAS1368N10B	GFA-N10B		.295 [7.49]	.081-.140 [2.06-3.56]	.080 [2.03]				
NAS1368N10D	GFA-N10D		.420 [10.7]	.201-.250 [5.1-6.35]	.210 [5.33]				
NAS1368N12A	GFA-N12A	.906 [23]	.235 [5.97]	.025-.080 [0.64-2.03]	.020 [0.51]	1.096 [27.8]	.896±.005 [22.8]	.730 [18.5]	
NAS1368N12B	GFA-N12B		.295 [7.49]	.081-.140 [2.06-3.56]	.070 [1.78]				
NAS1368N14A	GFA-N14A	1.031 [26.2]	.235 [5.97]	.025-.080 [0.64-2.03]	.020 [0.51]	1.221 [31]	1.021±.005 [25.9]	.855 [21.7]	
NAS1368N14B	GFA-N14B		.295 [7.49]	.081-.140 [2.06-3.56]	.070 [1.78]				



NOTES:  
 1. MATERIAL: NYLON 6/6 UL 94 V-2 (RMS-01)  
 2. COLOR: GREEN  
 3. ALTERNATE UNITS [ ] FOR REFERENCE ONLY

C	ADDED COLUMN FOR MILITARY STANDARD CO 200736	DK	11/17/2011
B	ADDED COLUMN FOR MAX PANEL THICKNESS, CO 200702	DK	08/29/11
A	RELEASED FOR PRODUCTION	DK	03.16.11
REV.	DESCRIPTION	ENGR.	DATE

TITLE: <b>FLIP GROMMET</b>				UNITS= IN [MM]		FINAL	
CREATED USING SOLIDWORKS	FILE #: GFA	DWN: DK	APP: MB	PART #			
TOLERANCES UNLESS NOTED .XX=±.010 .XXX=±.005 FRAC.=±1/64 ANG.=±1°	SHEET: 1 OF 1	SHEET SIZE: B	DT: 01/10/11	CHKD: DZ	SEE TABLE		PRINT TYPE
RE: RICHCO, INC.	RICHCO, INC. WWW.RICHCO-INC.COM						CA