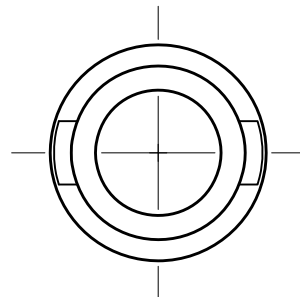
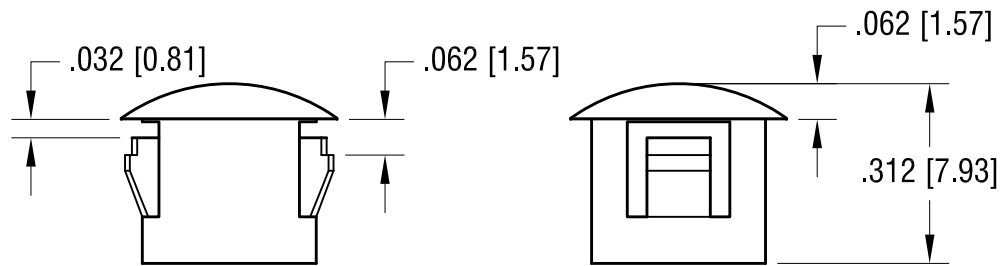
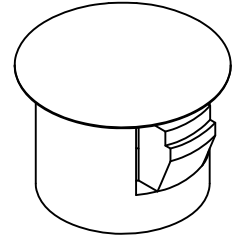
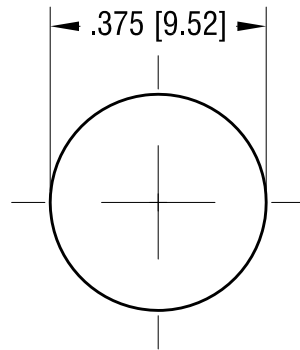


THIS DOCUMENT IS THE PROPERTY OF  
KEYSTONE ELECTRONICS CORP. AND  
SHALL NOT BE REPRODUCED, DISTRIBUTED  
OR USED AS A BASIS FOR MANUFACTURE  
WITHOUT PRIOR WRITTEN PERMISSION  
FROM KEYSTONE ELECTRONICS CORP.



**KEYSTONE ELECTRONICS CORP.**

www.keyelco.com • ASTORIA, N.Y. 11105-2017 • Tel (718) 956-8900

PART NAME  
INSULATING BUSHING FOR .312 [7.9] DIA. HOLE

MATERIAL  
NYLON 6/6, BLACK UL 94V-2

FINISH -	DRN BY NT	DATE 9.16.11
	APP'D LN	SCALE 3X

9.16.11 CHANGE AS PER ECR 11-125

A

TOLERANCES	INCH [MM]	CODE	DWG NO.
DECIMAL	± .015 [± 0.38]	C/M	8601
ANGULAR	± 1°		
UNLESS OTHERWISE SPECIFIED			

DATE	DESCRIPTION	REV.
9.16.11	CHANGE AS PER ECR 11-125	A

REV.