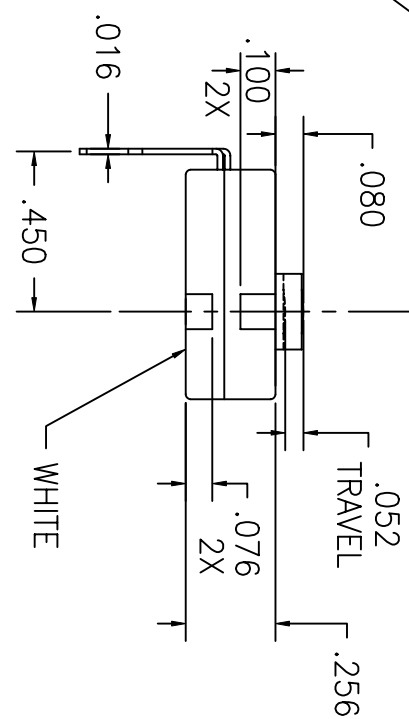
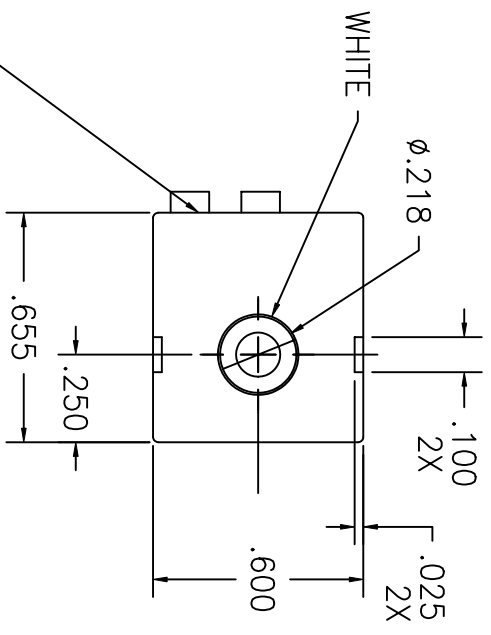
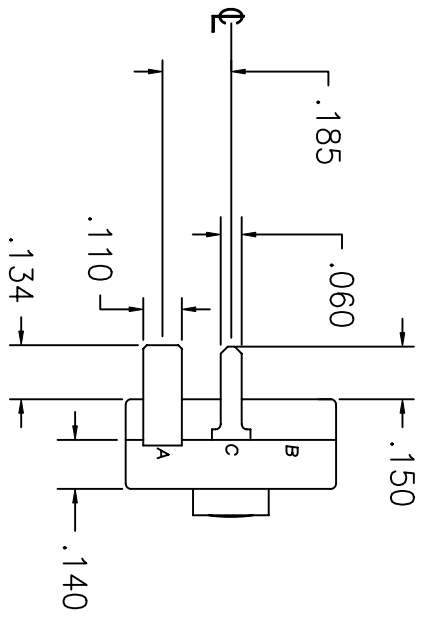


| LTR | EN | DESCRIPTION     | APPR | BY | DATE     |
|-----|----|-----------------|------|----|----------|
| A   | -  | INITIAL RELEASE | MT   | DC | 12-27-07 |



JUDCO INVENTORY NO. 40-4681-00  
 SWITCH TYPE: MOMENTARY, NORMALLY OPEN

CUSTOMER: DIGI-KEY  
 CUSTOMER PN: TBD  
 APPROVED BY: \_\_\_\_\_  
 DATE: \_\_\_\_\_

This document embodies a product, component, and/or design proprietary to JUDCO MANUFACTURING INC., and which is protected either as a trade secret, by U.S. Patent, or by copyright. It may not be used in any way without written express consent of JUDCO MANUFACTURING INC.

|  |  |        |
|--|--|--------|
| DIMENSIONS IN INCHES<br>DIMENSIONS ARE REFERENCE |  |        |
| DRAWN: DC 12-27-07                               |  |        |
| APPR: KJ 12-27-07                                |  |        |
| ENGG: IS 12-27-07                                |  |        |
| TITLE<br>J-987-2 W/BENT TERMINALS                |  |        |
| DWG. NO. 1415-1277                               |  |        |
| SHEET  |  | 1 OF 1 |