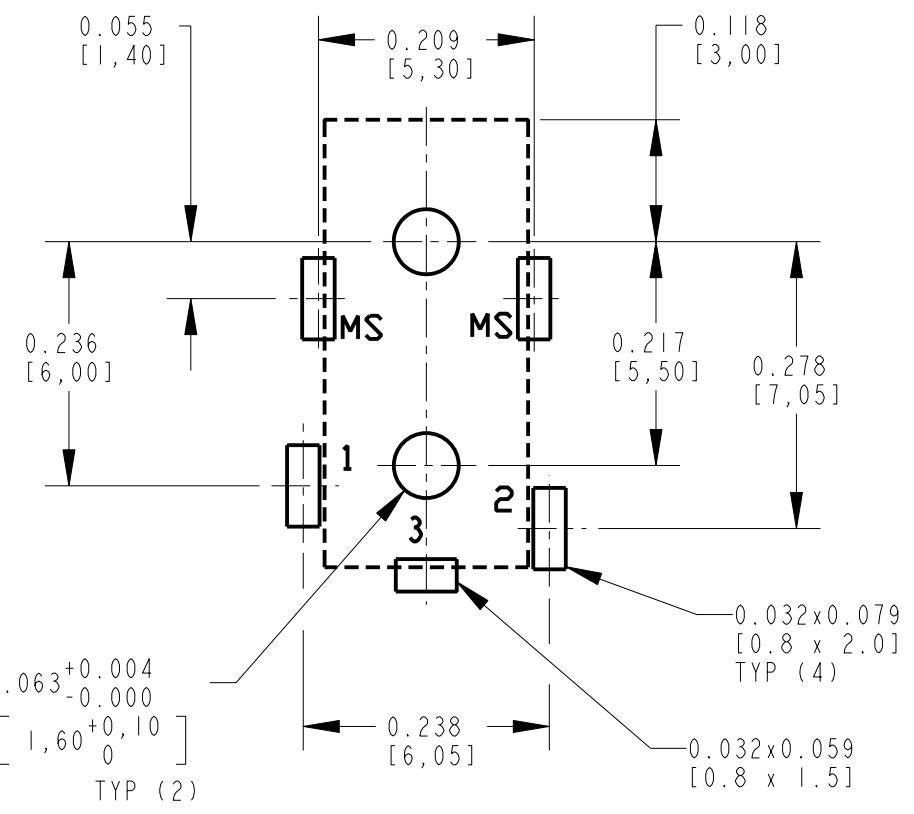
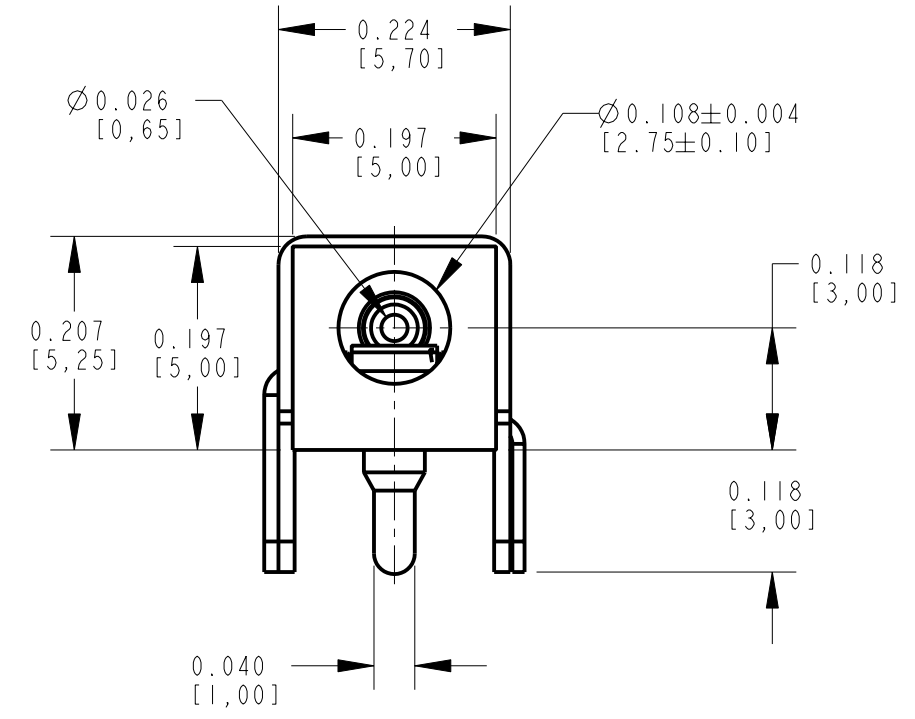
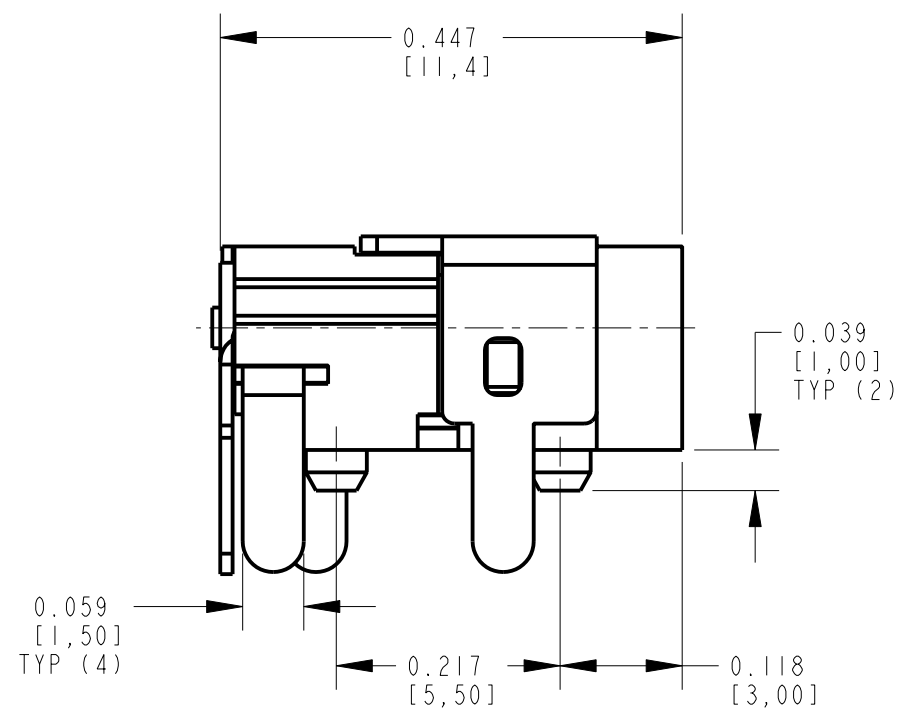


SCHMATIC

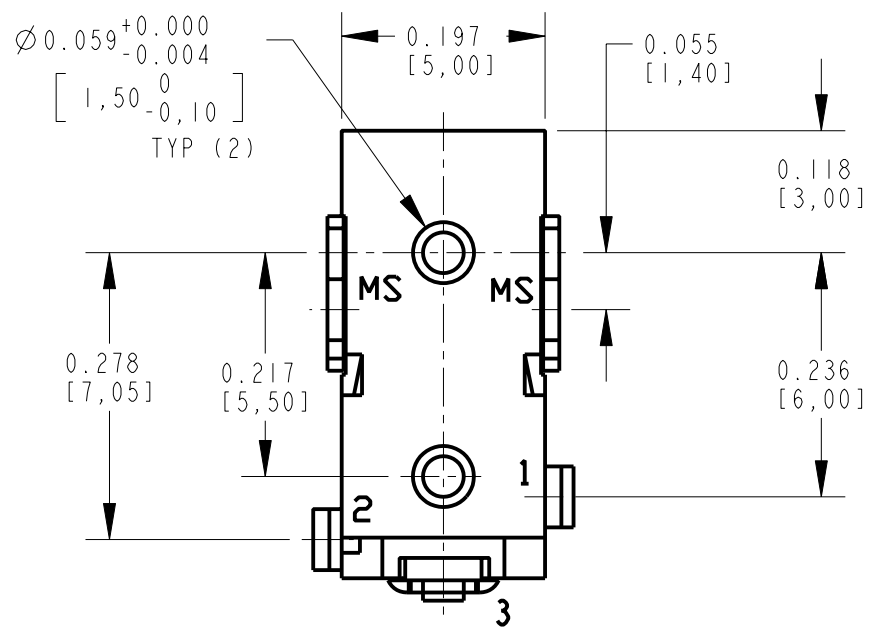
NOTES:

- ALL DIMENSIONS ARE REFERENCE.
- MATERIALS:
 HOUSING: THERMOPLASTIC, BLACK
 SPRING CONTACT: COPPER ALLOY, SILVER PLATED
 SHUNT TERMINAL: COPPER ALLOY, SILVER PLATED
 CENTER PIN: COPPER ALLOY, SILVER PLATED
 SHIELD: STEEL, NICKEL PLATED
- THIS PRODUCT IS RoHS COMPLIANT

CUSTOMER DRAWING



PC BOARD LAYOUT
COMPONENT SIDE



REV	ECO NUMBER	DATE	BY	APVD
A	25129	9-9-05	JL	MW

★ STAR SYMBOL DENOTES CRITICAL DIMENSION

UNLESS OTHERWISE SPECIFIED

- ALL DIMENSIONS IN INCHES
 - TWO PLACE DECIMALS ±0.01
 - THREE PLACE DECIMALS ±0.005
 - ANGLES ±1°
 - ALL DIA. CONCENTRIC WITHIN 0.005 T.I.R.
- FEATURES ON THE SAME CENTERLINE MUST BE ALIGNED WITHIN ±0.002
- REMOVE ALL BURRS

DO NOT SCALE DRAWING

THIS DRAWING DESCRIBES A DESIGN CONSIDERED PROPRIETARY IN NATURE, DEVELOPED AND MANUFACTURED BY SWITCHCRAFT INC. AND IS RELEASED ON A CONFIDENTIAL BASIS FOR IDENTIFICATION PURPOSES ONLY.									
SIZE	WIDTH	MULT	LBS/M	TEMPER					
FINISH					MATERIAL				
SPEC No.					SPEC No.				
FIRST USED ON				SCALE					
				5 : 1					
DATE DRAWN	BY	CHKD	APVD						
09-Sep-05	JL	MW	MW						
			9-9-05						
			9-9-05						
NAME RIGHT ANGLE PSB DC JACK SHIELDED, Ø0.65mm PIN, RoHS								PART No.	
								RAPC752SX	
								REV	
								A	