

THIS COPY IS PROVIDED ON A RESTRICTED BASIS AND IS NOT TO BE USED IN ANY WAY DETRIMENTAL TO THE INTERESTS OF PANDUIT CORP.

**NOTES, UNLESS OTHERWISE SPECIFIED:**

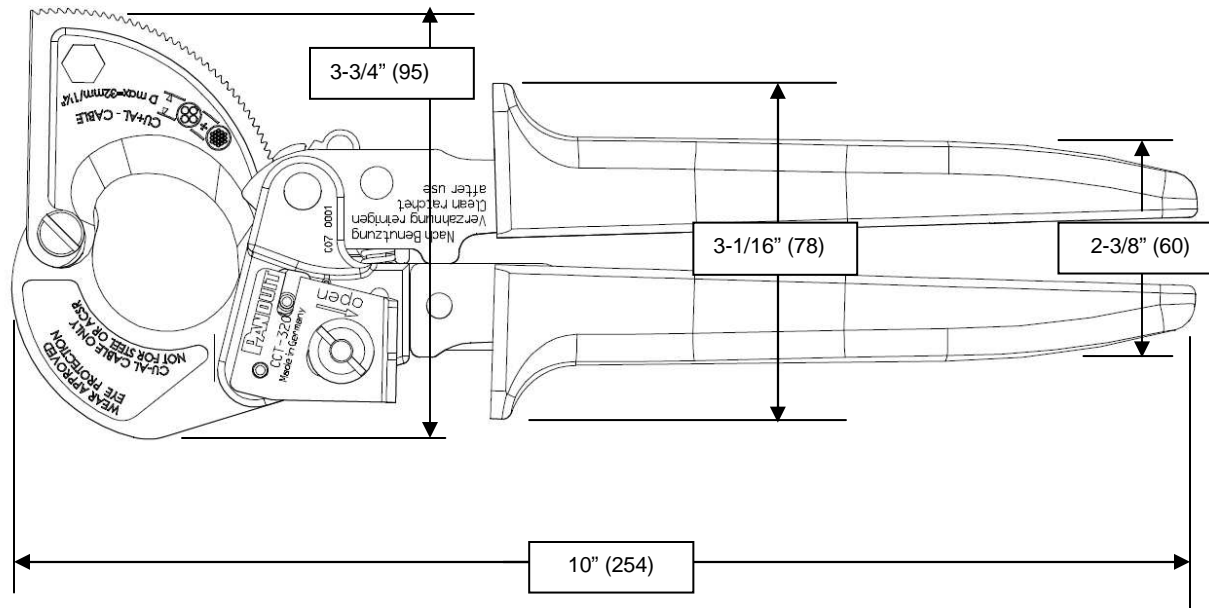
PANDUIT TOOL NUMBER: CCT-320

**THIS TOOLS' FEATURES INCLUDE:**

- One hand operation due to an optimal force transmission ratio and a stepwise cutting up to 1-1/4" (32mm) diameter.
- Unlocking possibility in every position.
- All parts made of high tempered special steel.
- Blades and stressed parts are specially tempered or hardened.
- Tool has a burnished surface.
- Tool has ergonomically formed soft-handle grips.
- Tool is RoHS compliant and fully recyclable.
- Tool cuts both Copper and Aluminum solid cables from 1/4" (6mm) to 1" (25mm) and stranded cables up to 1-1/4" (32mm) in diameter.
- DO NOT USE THIS TOOL TO CUT STEEL OR ASCR CABLE.

APPROX. DIMENSIONS: 10" (254) x 3-3/4" (95) x 1" (25.4)

TOOL WEIGHT: 21oz., (600gr.)



Find this drawing on TeamCenter

**CD \* CCT-320 CABLE CUTTER**

CUSTOMER DRAWING

ITEM REVISION NAME:

**CG26095A01\_01**

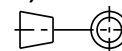


UNLESS OTHERWISE SPECIFIED,  
DIMENSIONAL TOLERANCES ARE:

(.x) ± ---      (.xxx) ± ---  
(.xx) ± ---      ANGLES ± ---

MATERIAL:

-----



THIRD ANGLE  
PROJECTION

DRAWING NUMBER:  
**CG26095A01**

<b>01</b>	<b>2-04-14</b>	<b>BLR</b>	<i>BJPU</i>	<i>ABJ</i>	<b>REDRAWN-NEW TEMPLATE; UPD BRANDING</b>	<b>4703</b>
<b>REV</b>	<b>DATE</b>	<b>BY</b>	<b>CHK</b>	<b>APR</b>	<b>DESCRIPTION</b>	<b>ECN</b>

<b>DRAWN BY:</b> BJPU	<b>DATE:</b> 3-25-09	<b>CHK</b> ---	<b>SCALE</b> NONE	<b>SHT 1 OF 1</b>	<b>SIZE</b> <b>A</b>
--------------------------	-------------------------	-------------------	----------------------	-------------------	-------------------------