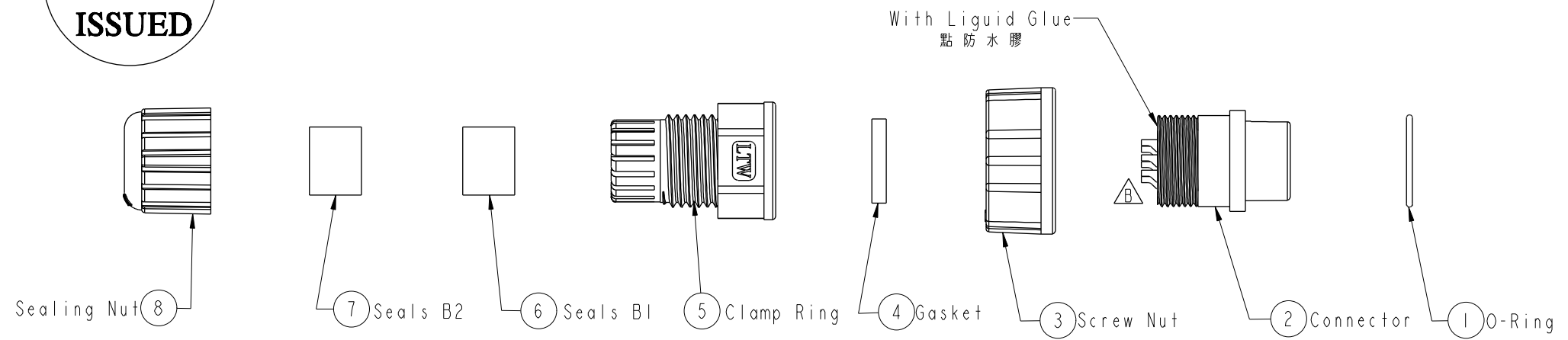


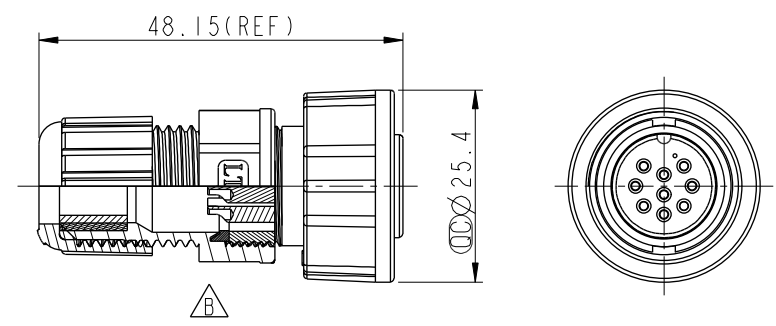
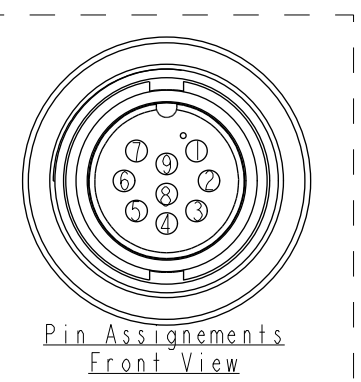
THIS DOCUMENT IS SUBJECT TO CHANGE WITHOUT NOTICE. IT IS CONFIDENTIAL AND A PROPERTY OF AMPHENOL LTW. DISCLOSURE TO THIRD PARTY HAS TO BE AUTHORIZED BY AMPHENOL LTW.

REV.	ECN NO.	DATE	SIGN	DESCRIPTION
B	LEN-0C0117	2010/11/23	IVNA	Change 前導角 View

ALTW
 DCC. DEPT.
 CONFIDENTIAL
 2012-05-29
ISSUED



ALTW
 CONFIDENTIAL
 2012-04-12
 R&D DEPT.



- Note:
- * \varnothing Important Dimension.
 - * Waterproof Rate: IP67
 - * Housing: Nylon+GF, Black.
 - * Female Pin: Copper Alloy, Gold Plated.
 - * Screw Nut: Nylon+GF, Black
 - * O-Ring: EPDM, Black.
 - Δ * Gasket: Silicone, Black
 - * Seals: EPDM, Black
 - * Clamp Ring: Nylon, Black.
 - * Sealing Nut: Nylon, Black.
 - * Liquid Glue: Clear
 - * Seals B1 for Cable OD: \varnothing 7.6mm~ \varnothing 9.6mm
 - * Seals B2 for Cable OD: \varnothing 4.0mm~ \varnothing 7.6mm
 - * One Set Unassembled in One PE Bag.

UNIT: mm TOLERANCE .X ±0.25 .XX ±0.1 .XXX ±0.05 ANGLES ±1°	TITLE Middle Assy Screw 9Pin F Conn F Pin			Amphenol LTW 安費諾亮泰企業股份有限公司		ITEM NO. CD-09BFFA-SL7001	DRAWN BY SamChang	DATE 2012-04-12
	SCALE 1:1	SIZE A4	SHEET 1 OF 1			DWG NO. CD-09BFFA-SL7001	CHECKED BY Jeffrey	DATE 2012-05-29
	REV. B	WC-REV. A.2	\varnothing : Inspection item	CUSTOMER ALTW	APPROVED BY Lion	DATE 2012-05-29		
							8 FMM10702-01-02A1	