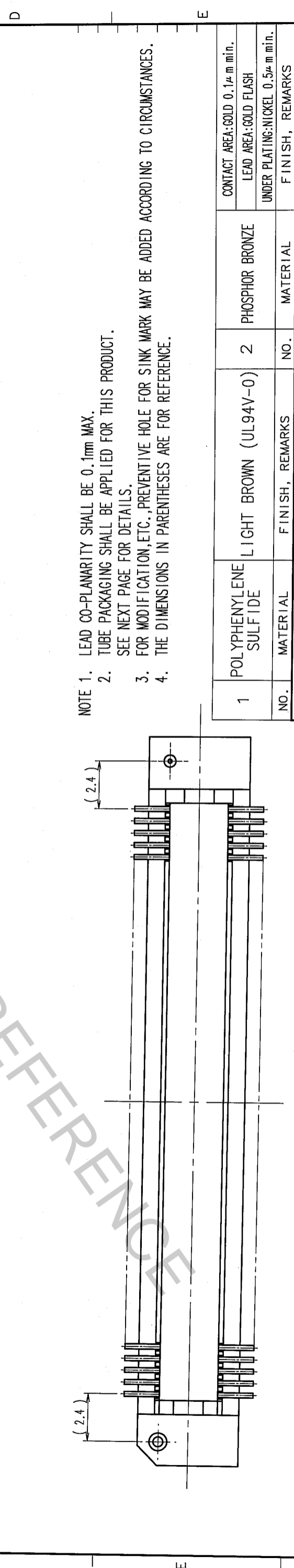
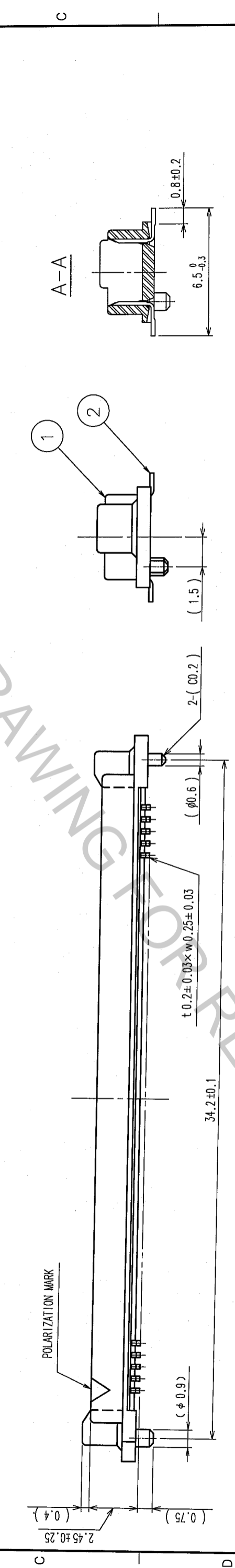
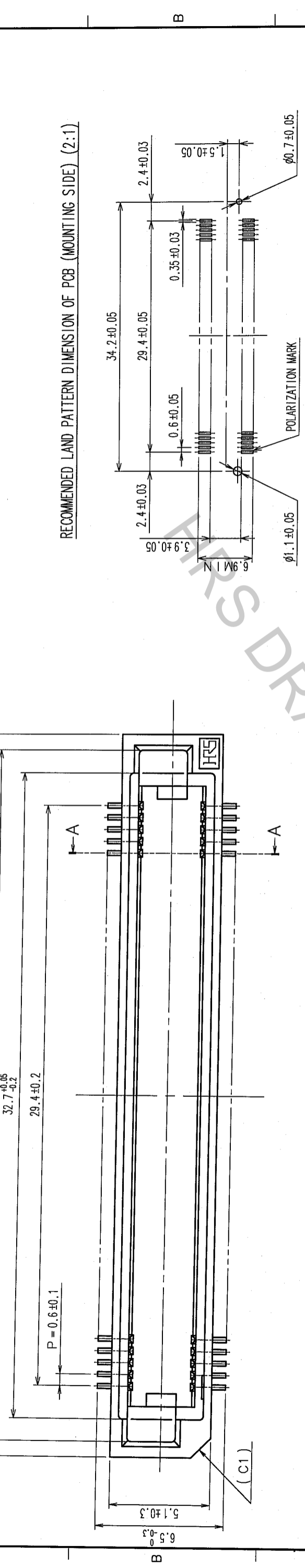


COUNT	DESCRIPTION OF REVISIONS	BY	CHKD	DATE	COUNT	DESCRIPTION OF REVISIONS	BY	CHKD	DATE
△					△				
△					△				

RECOMMENDED LAND PATTERN DIMENSION OF PCB (MOUNTING SIDE) (2:1)



NOTE 1. LEAD CO-PLANARITY SHALL BE 0.1mm MAX.  
 2. TUBE PACKAGING SHALL BE APPLIED FOR THIS PRODUCT.  
 SEE NEXT PAGE FOR DETAILS.  
 3. FOR MODIFICATION, ETC., PREVENTIVE HOLE FOR SINK MARK MAY BE ADDED ACCORDING TO CIRCUMSTANCES.  
 4. THE DIMENSIONS IN PARENTHESES ARE FOR REFERENCE.

1	POLYPHENYLENE SULFIDE	LIGHT BROWN (UL94V-0)	2	PHOSPHOR BRONZE	CONTACT AREA: GOLD 0.1μm min. LEAD AREA: GOLD FLASH UNDER PLATING: NICKEL 0.5μm min.
NO.	MATERIAL	FINISH, REMARKS	NO.	MATERIAL	FINISH, REMARKS
CL					
DRAWN K. Doi '05.09.02		DESIGNED K. Doi '05.09.02		CHECKED K. Ogawa '05.09.02	APPROVED H. Okawa '05.09.02
SCALE 5:1		DRAWING NO. EDC3-150566-21		PART NO. FX8-100P-SV(91)	
UNITS mm		CODE NO. CL578-0005-7-91		CODE NO. CL578-0005-7-91	

TO	
PCK	

COUNT	DESCRIPTION OF REVISIONS	BY	CHKD	DATE	COUNT	DESCRIPTION OF REVISIONS	BY	CHKD	DATE
△					△				
△					△				
△					△				

A

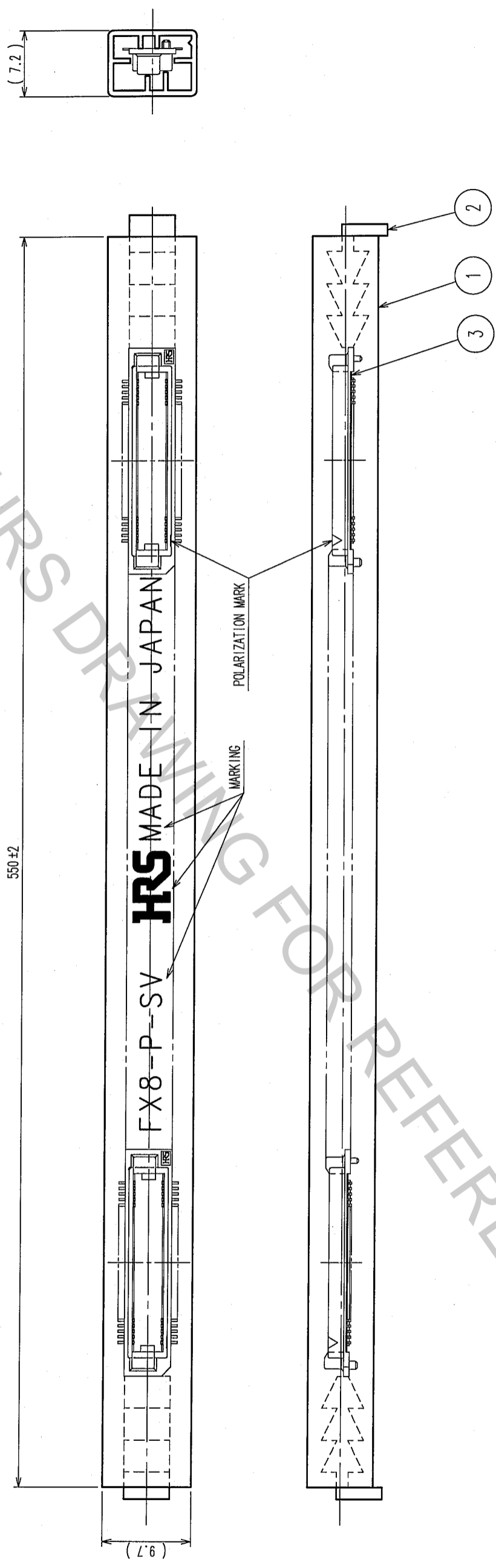
B

C

D

E

F



NOTE 1. 1 TUBE : 14 CONNECTORS.  
 2. THE DIMENSIONS IN PARENTHESES ARE FOR REFERENCE.

2 POLYVINYL CHLORIDE STOPPER		3 (CONNECTOR)			
NO.	MATERIAL	FINISH, REMARKS	NO.	MATERIAL	FINISH, REMARKS
1	POLYVINYL CHLORIDE	TUBE	1	POLYVINYL CHLORIDE	TUBE
CODE NO. (OLD) CL		DRAWN K. Doi '05.09.02		DESIGNED K. Doi '05.09.02	
SCALE FREE		CHECKED K. Ogasawara '05.09.02		APPROVED H. Okawa '05.09.02	
UNITS mm		PART NO. FX8-100P-SV(91)		RELEASED	
DRAWING NO. EDC3-150566-21		CODE NO. CL578-0005-7-91		2	
HRS HIROSE ELECTRIC CO., LTD					

TO	
PCK	